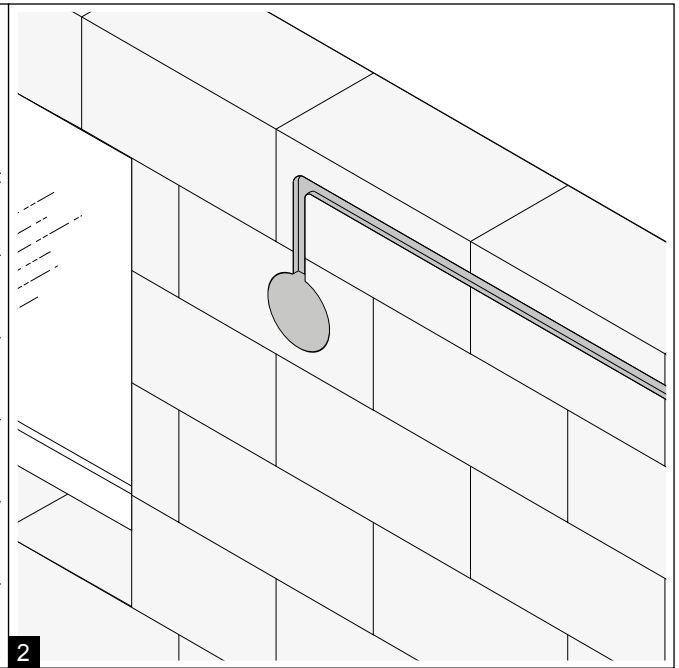
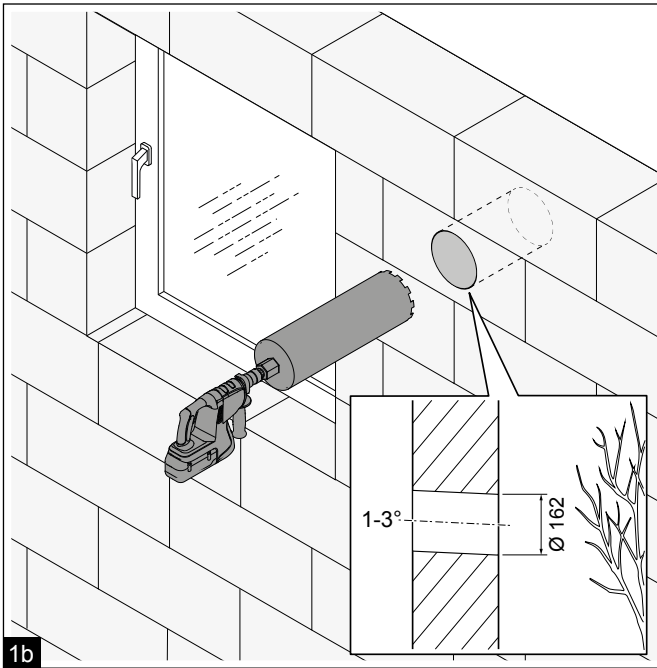
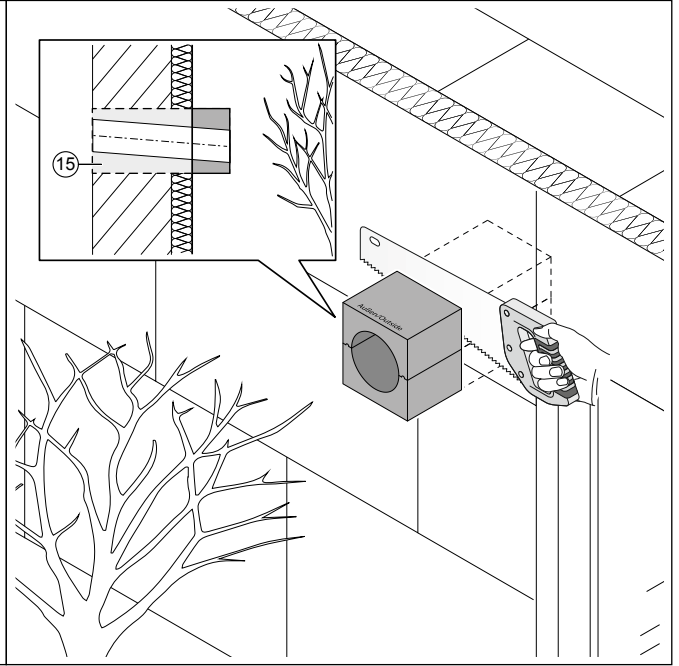
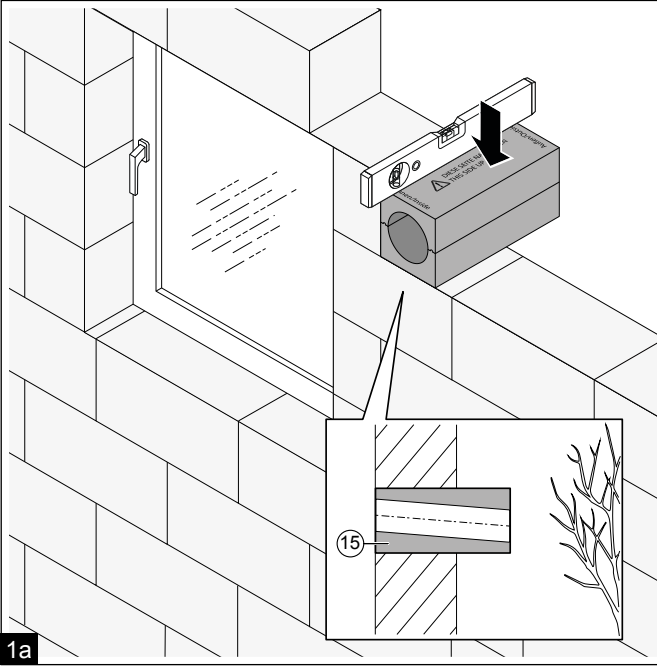
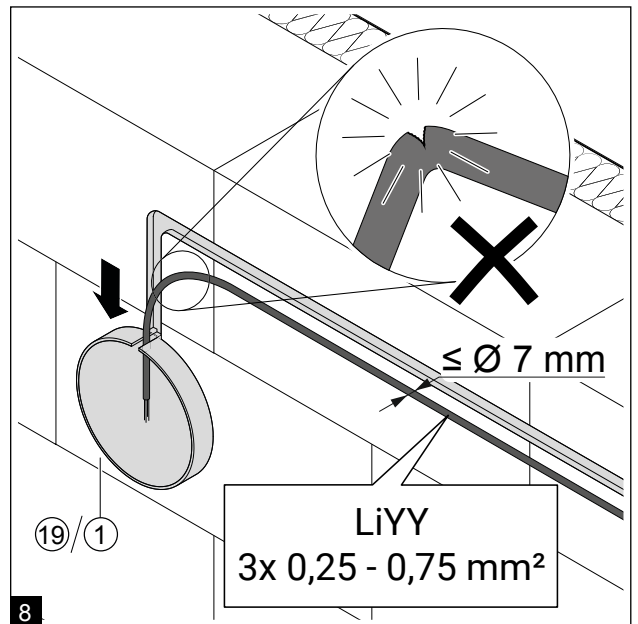
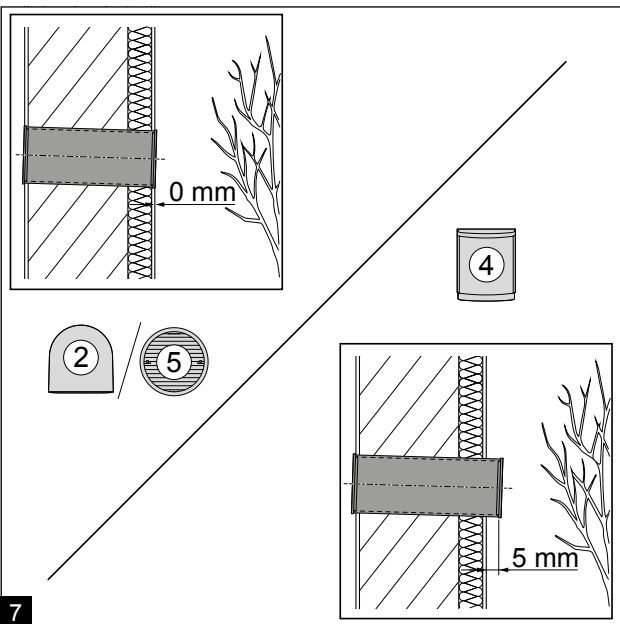
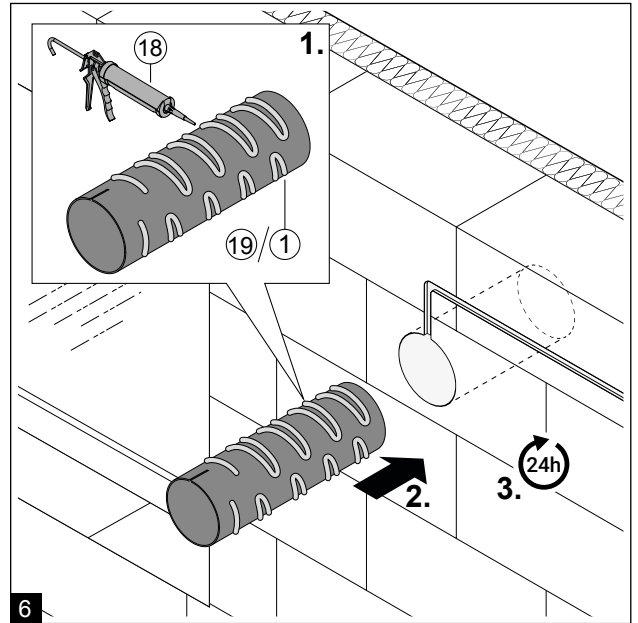
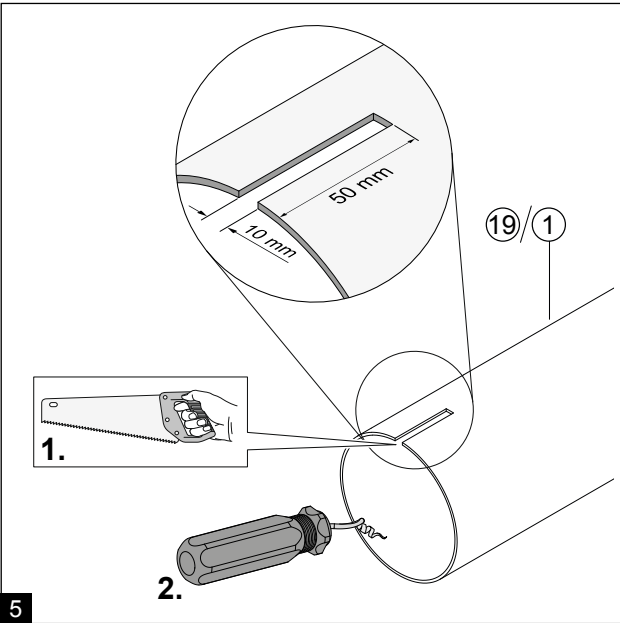
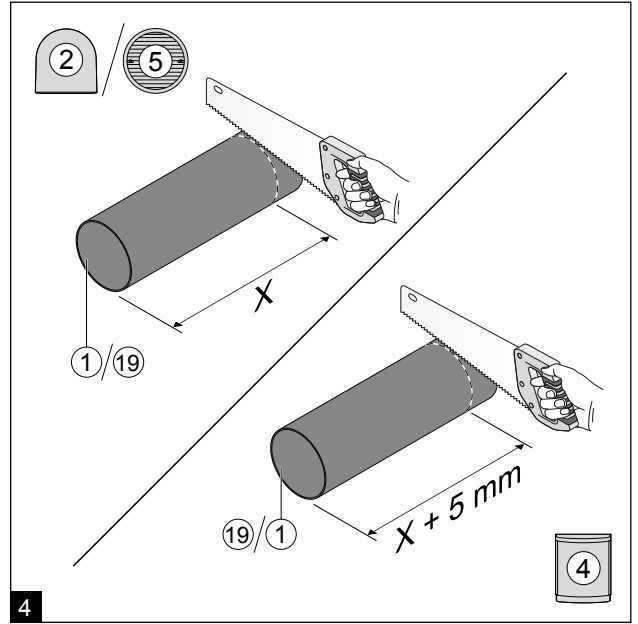
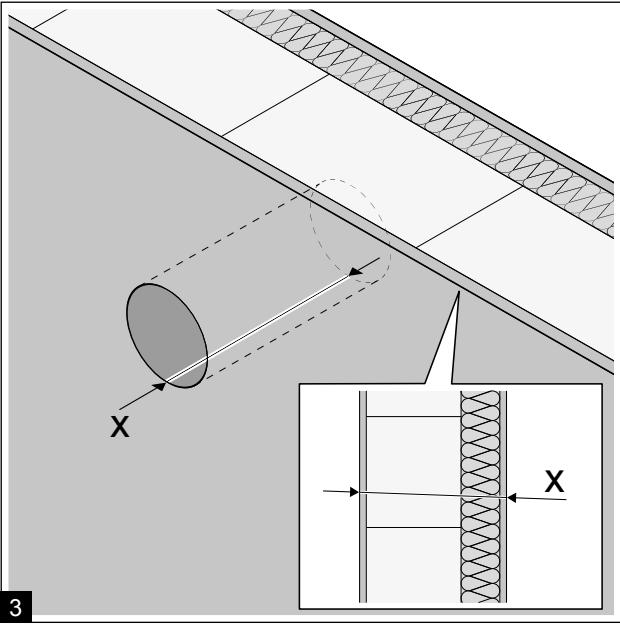
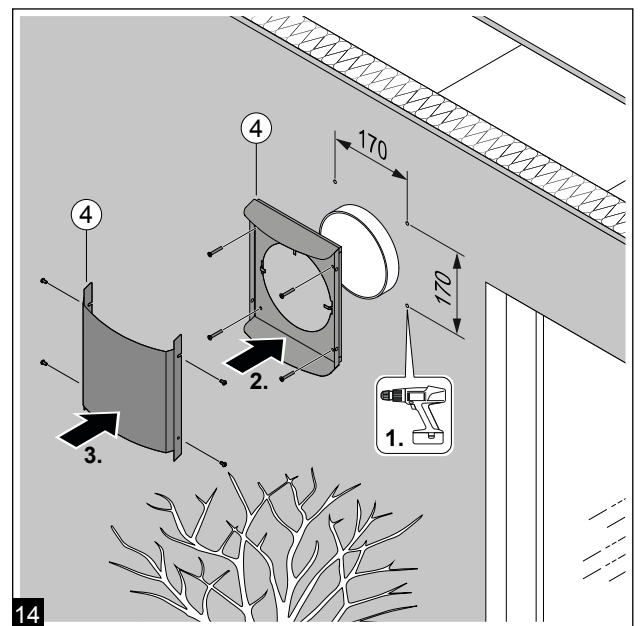
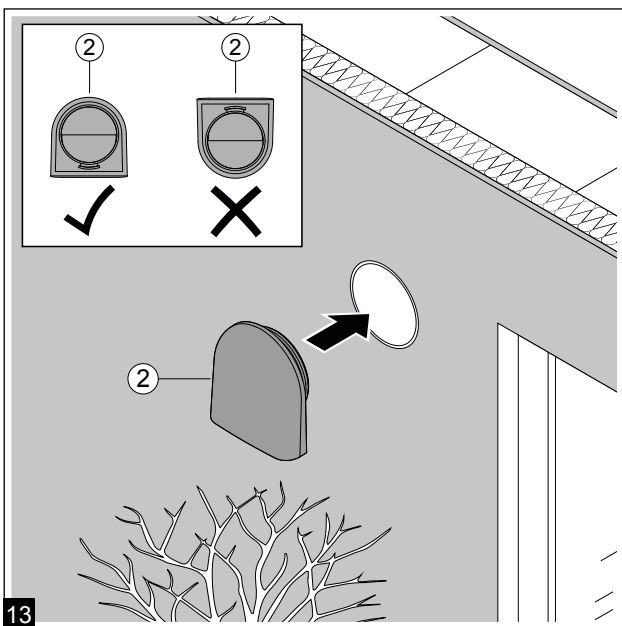
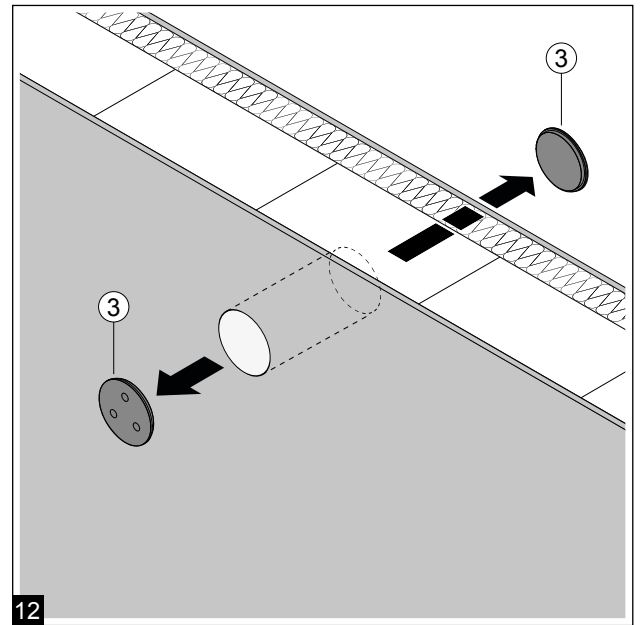
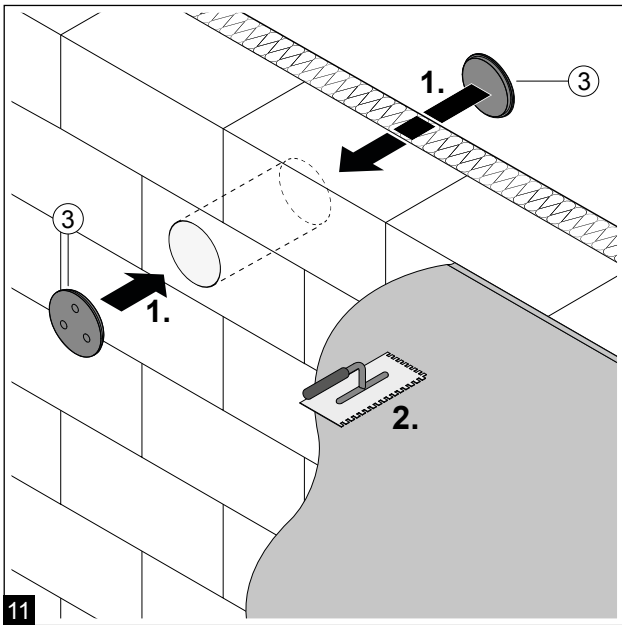
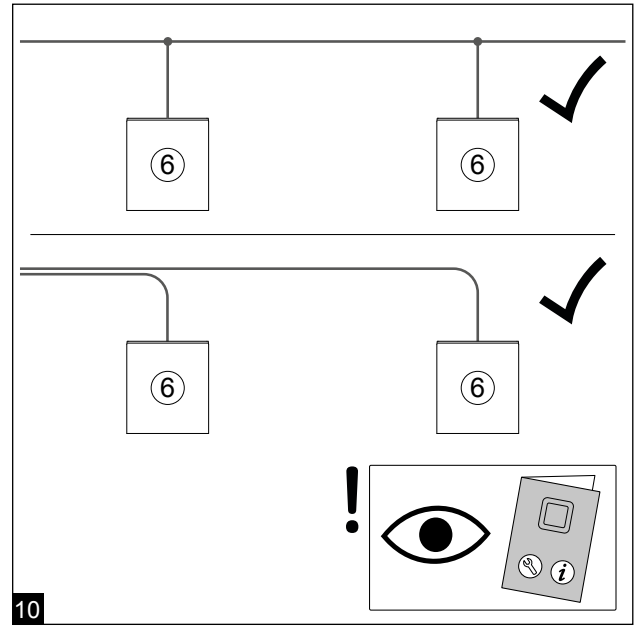
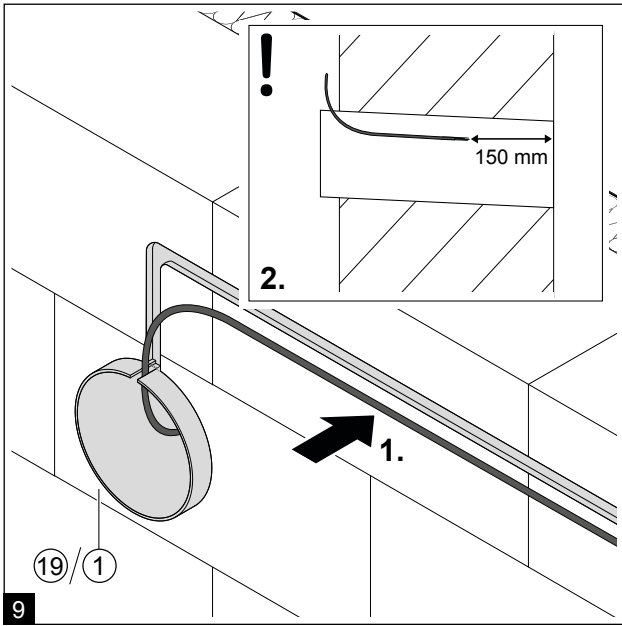


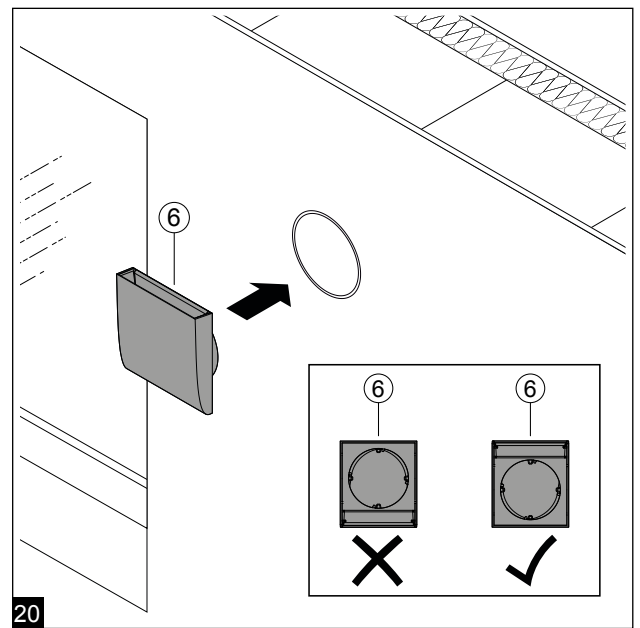
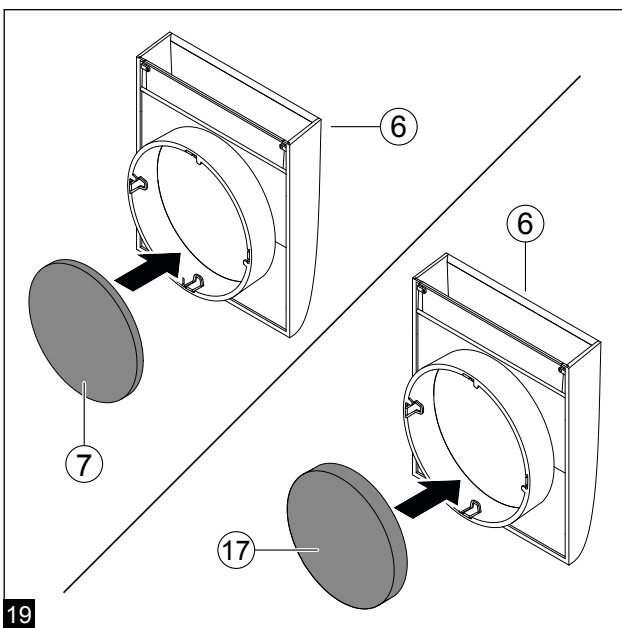
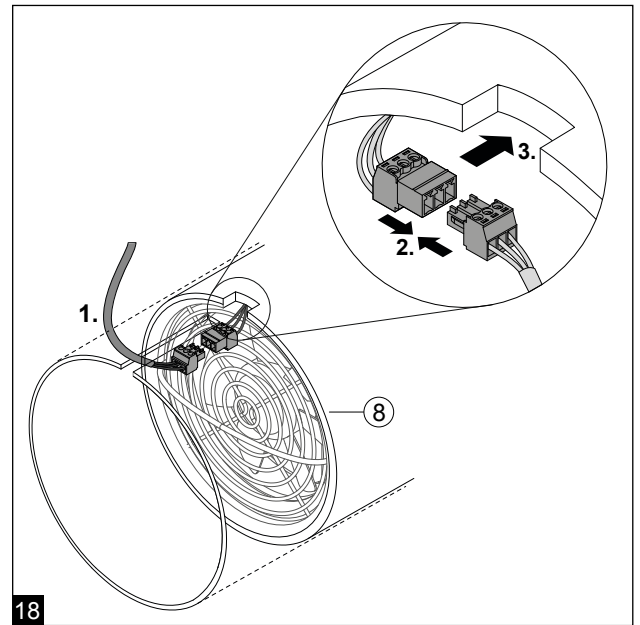
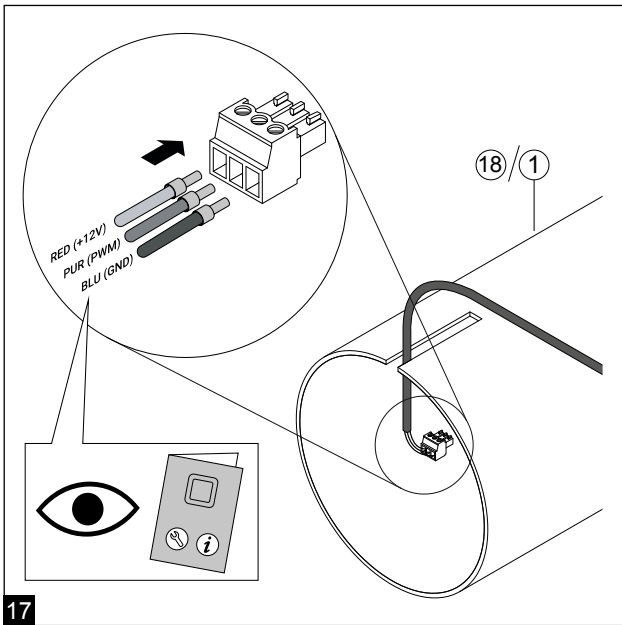
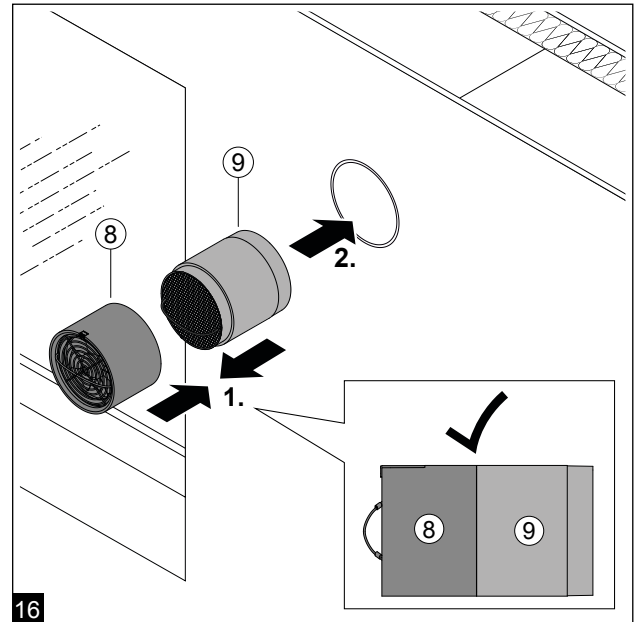
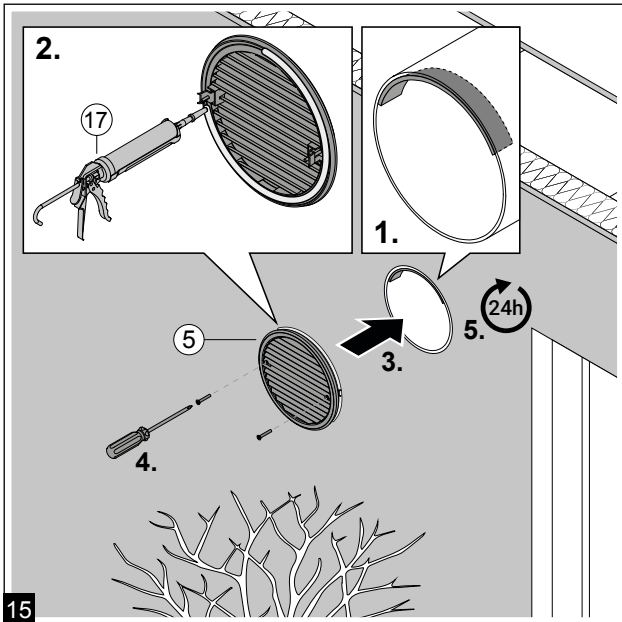


A/B/C + D/E/F











A/B/C + G/H/I

